

CARLOW CONCRETE TANKS.

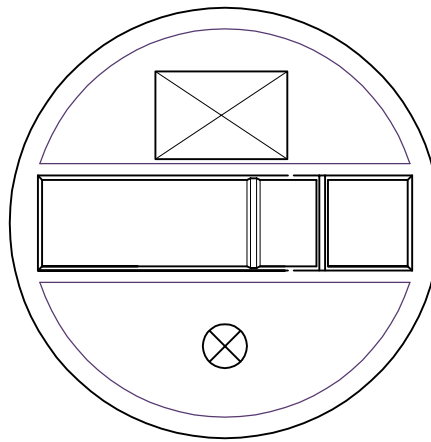
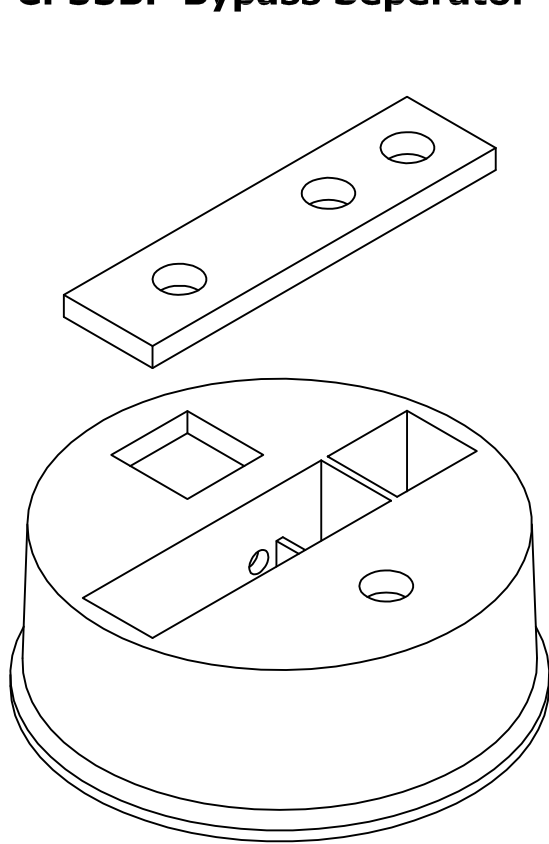
Kilknock, Ballon, Co. Carlow Tel: 05991 59100, Fax: 05991 59831, e-mail: sales@carlowtanks.com
 Manufacturers of Septic and Effluent Tanks, Pump Chambers, Reservoirs, Interceptors and Special Products

S

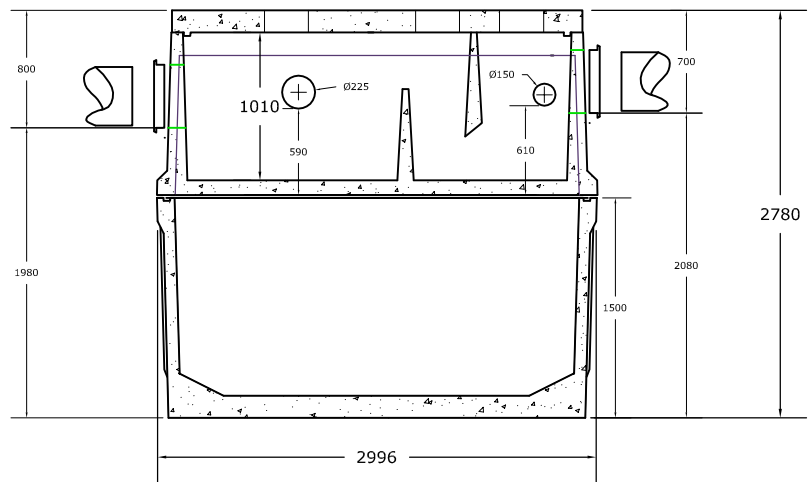
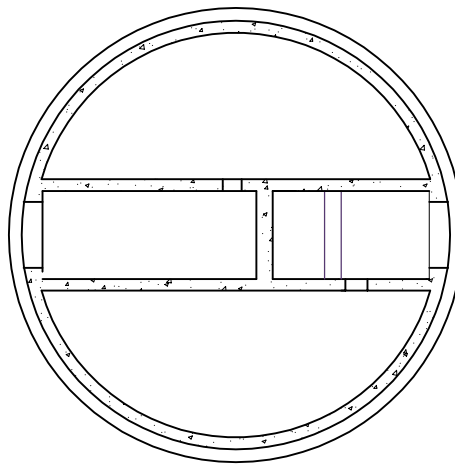
Dec 2008

Bypass Interceptor CP33BP (Class 1 & 2 to EN858)

CP33BP Bypass Separator



ROOF PLAN



Nominal Flow

Storm Flow

Area Drained m²

Standard Pipe Size

Crossfall

Inlet Invert to Base

Nominal Oil Storage

CP33BP 33.0l/s 330l/s 18,500 400Dia 100mm 2080mm 2375 l