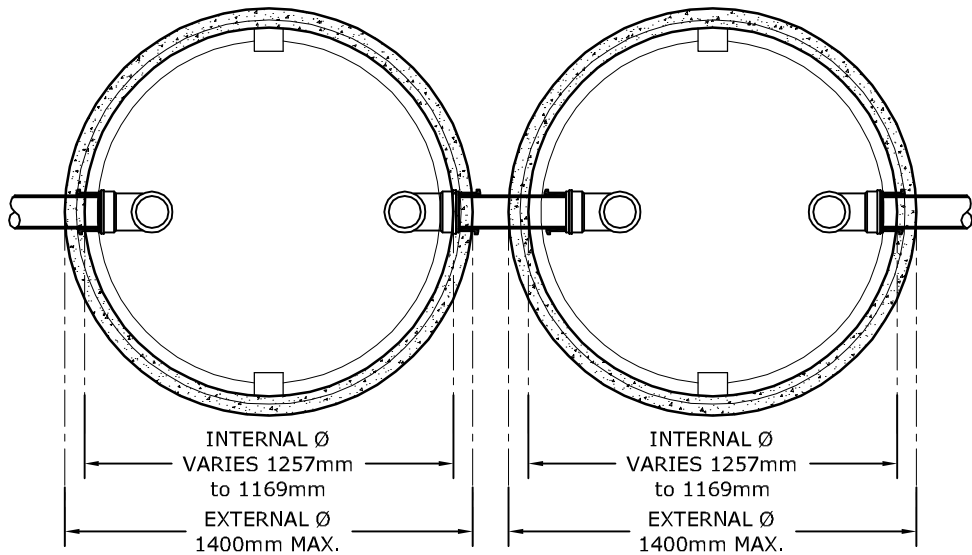
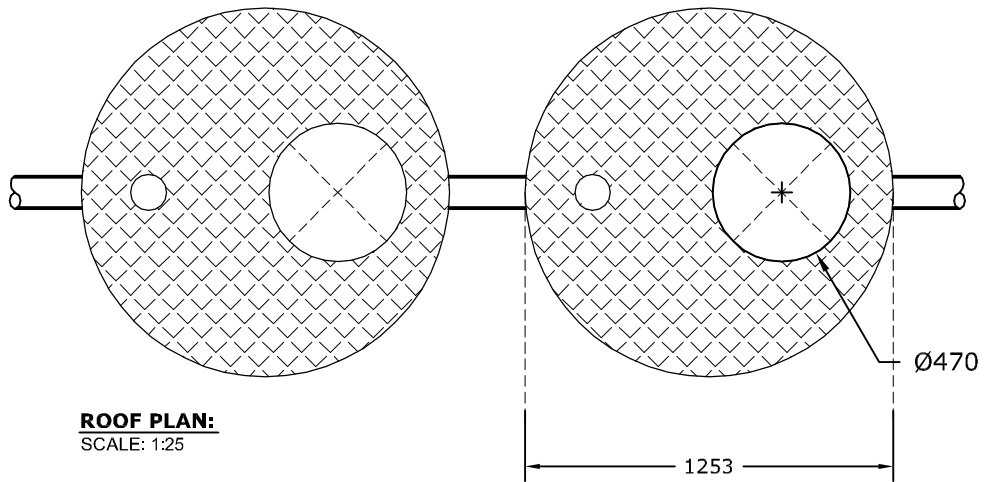
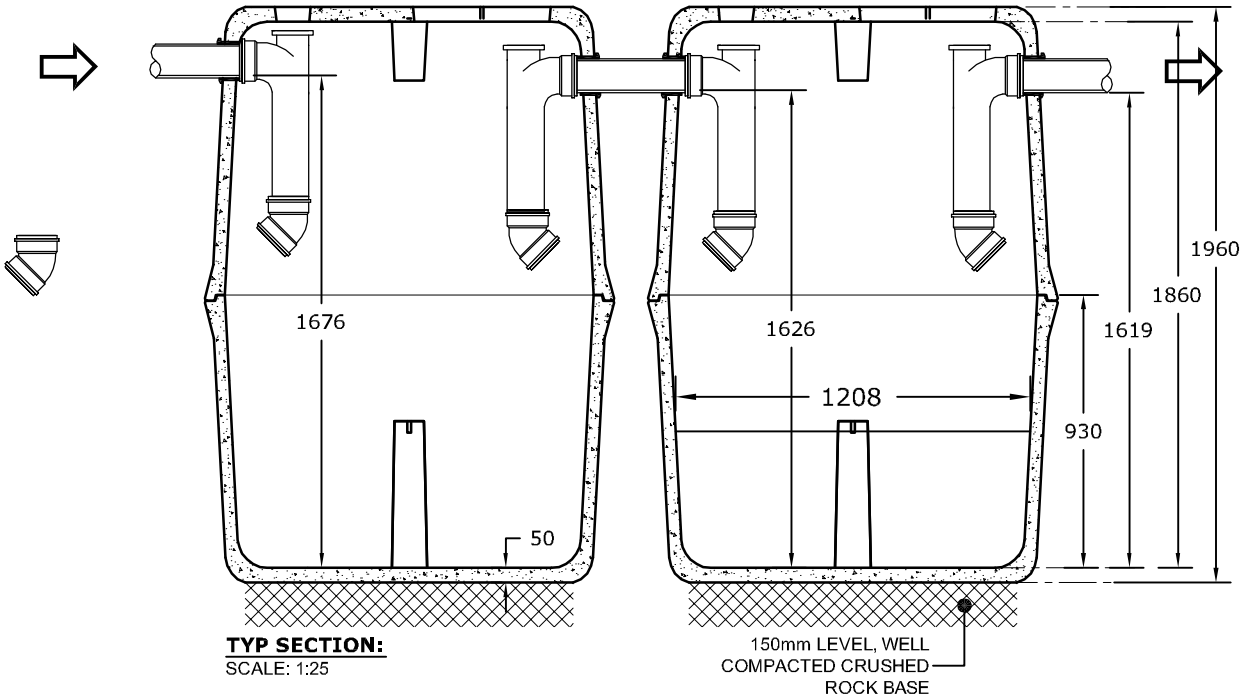


CERTIFIED TO EN12566-1

STANDARD UNIT WEIGHTS:

- BASE SECTION: 0.5 tonnes
- TOP SECTION: 0.5 tonnes



PLAN VIEW:
SCALE: 1:25