

CARLOW CONCRETE TANKS

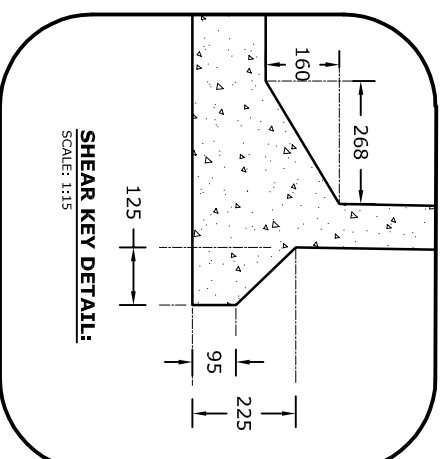
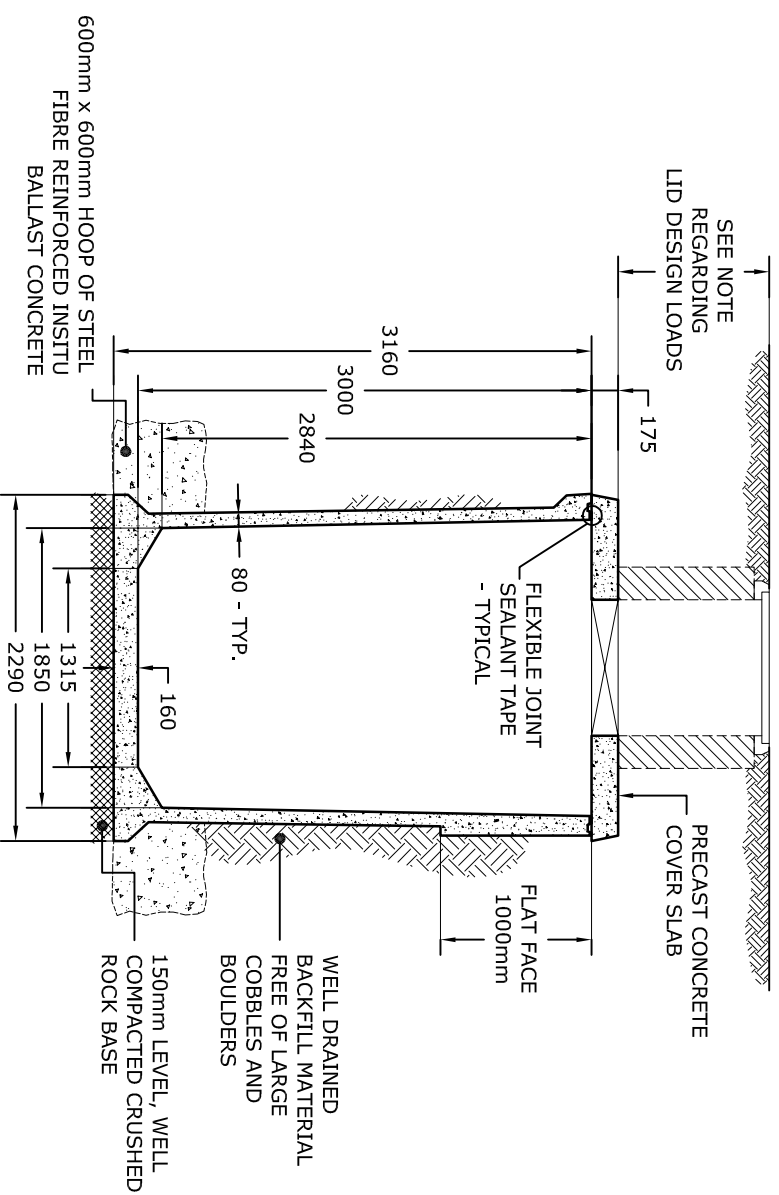
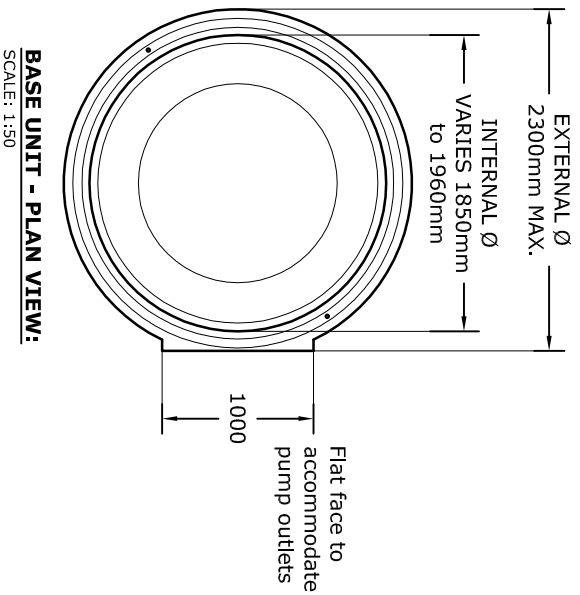
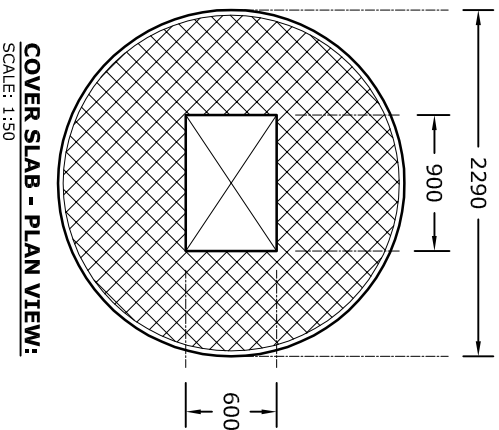
DRAWING TITLE:

1.9m Ø x 3m PRECAST
CONCRETE PUMP CHAMBER

Drawn By: N.P

Date: 16/06/11

Revision: 0



TYPICAL INSTITU BALLAST CONCRETE SPECIFICATION:

CONCRETE GRADE: C28/35
 MIN. CEMENT CONTENT: 320 kg/m³
 MAX. W/C RATIO: 0.55
 MAX. AGGREGATE SIZE: 20mm
 STEEL FIBRE DOSAGE: 20 kg/m³
 STEEL FIBRE TYPE: DRAMIX RL 45/50 BN
 (OR SIMILAR)

STANDARD LID DESIGN LOADS:

IMPOSED LOAD: 10 kN/m² UDL OR 5,850 kg WHEEL LOAD
 DEAD LOAD: UP TO 1m OVERBURDEN
 HEAVY DUTY OR CUSTOM LIDS CAN BE MANUFACTURED FOR
 MORE ONEROUS APPLICATIONS.

STANDARD ACCESS OPENING SIZES:

- 1400mm x 850mm
- 900mm x 600mm
- 600mm x 600mm

NON STANDARD SIZES ARE AVAILABLE ON REQUEST

STANDARD UNIT WEIGHTS:

- STANDARD BASE UNIT: 6.1 TONNES
- 1m RISER: 1.6 TONNES
- 2m RISER: 2.4 TONNES
- 3m RISER: 4.0 TONNES
- LID UNIT: 1.5 TONNES